



Shop Drawing Submittal Package

PM-COILED PIPE MARKER DESCRIPTION

Coiled Pipe Markers are designed to identify piping in all types of indoor/outdoor environments. Our unique manufacturing process allows the marker to easily wrap around any pipe up to 6" (152.4 mm) OD. Flat markers with strap on ties are available for pipe diameters of 10"(254mm), 12" (304.8 mm) and 18"+ (457.2mm)+.

No preparation or adhesive is required for easy installation. Markers are made from 16 or 19 mil. rigid PVC vinyl and legends are sub-surface printed protecting it with a layer of plastic.

- Ideal for rusty, dirty or sweating pipes where adhesive markers cannot be used
- No pipe surface preparation required
- Coiled construction quickly snaps and grips around pipe
- Flat markers for 6"+ (152.4 mm)+ diameters, come with strap on cable ties
- Markers can be removed during line maintenance and reinstalled
- Flow direction arrows are printed on each marker
- Industry standard and custom legends and colors available
- Complies with CAN/CGSB-24.3-92 and ASME A13.1 standard for pipe identification with regard to color, letter height and marker size



PHYSICAL PROPERTIES

Material Thickness	16 mil, 19 mil. /0.016", 0.020" (0.4064mm, 0.4826mm)
Service Temperature Range	-40°F to 160°F (-40°C to 71°C) **
Flame Spread	ASTM E-85 Tested Rating at 25 or less
Water Resistance	Excellent
Chemical Resistance	Excellent
ASME A13.1 Standard	Complies
CAN/CGSB-24.3-92 Standard	Complies
Flow Direction Arrows	Yes

** Not recommended for constant temperatures of over 185°C (71°F)

MARKER SIZES

Coiled Pipe Markers come in all industry standard colors and sizes that comply with CAN/CGSB-24.3-92 and ANSI/ASME A13.1 requirements for pipe identification.

Custom colors and legends are available on request and must be specified in detail prior to each order placed.

PRIMARK ID	PIPE DIAMETER (Inc. Insulation)	MARKER WIDTH	TEXT HEIGHT	MARKER TYPE
PM20	3/8" – 5/8" (9.53 mm - 15.875 mm)	4" (101.6 mm)	1/4" (6.35 mm)	Coil-On
PM30	3/4" – 2" (19.05 mm - 50.8 mm)	8" (203.2 mm)	1/2" (12.7 mm)	Coil-On
PM40	2" – 4" (50.8 mm - 101.6 mm)	12" (304.8 mm)	1-1/4" (31.75 mm)	Coil-On
PM50	4" – 6" (101.6 mm - 152.4 mm)	12" (304.8 mm)	1-1/4" (31.75 mm)	Coil-On
PM55	2" – 6" (50.8 mm - 152.4 mm)	12" (304.8 mm)	1-1/4" (31.75 mm)	Coil-On
PM60	6" – 10" (152.4 mm - 254 mm)	17" (431.8 mm)	1-3/4" (44.45 mm)	*Tie Strap Req. Cable Ties incl.
PM70	10" – 18" (254 mm - 457.2 mm)	24" (609.6 mm)	2-1/2" (63.5 mm)	*Tie Strap Req. Cable Ties incl.
PM80	18"+ (457.2 mm) +	32" (812.8 mm)	3-1/2" (88.9 mm)	*Tie Strap Req. Cable Ties incl.

*36" (914.4 mm) long cable ties are provided for PM 60, PM 70 and PM 80 markers.

STANDARD COLORS

Coil Markers are available in all standard colors and include directional arrows to note the direction of flow in pipe.

YELLOW		BROWN	
ORANGE		PURPLE	
RED		BLACK	
GREEN		WHITE	
BLUE		GREY	

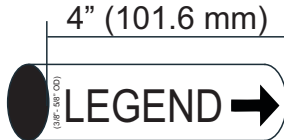


DRAWINGS

PM-20, 30, 40, 50 and 55 are coiled to securely warp around the pipe. Directional flow arrows are printed directly on the marker

PM20

4"W x 3"L (101.6 mm x 76.2 mm) - Fits 3/8" - 5/8" OD (9.53 mm - 15.875 mm)



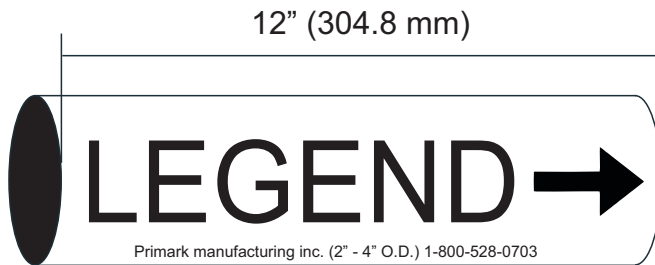
PM30

8"W x 8"L (203.2 mm x 203.2 mm) - Fits 3/4" - 2" OD (19.05 mm - 50.8 mm)



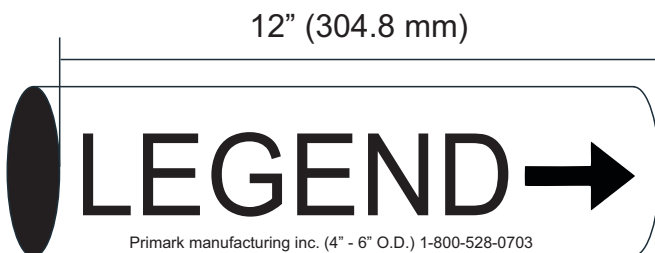
PM40

12"W x 17"L (304.8 mm - 431.8 mm) - Fits 2" - 4" OD (50.8 mm - 101.6 mm)



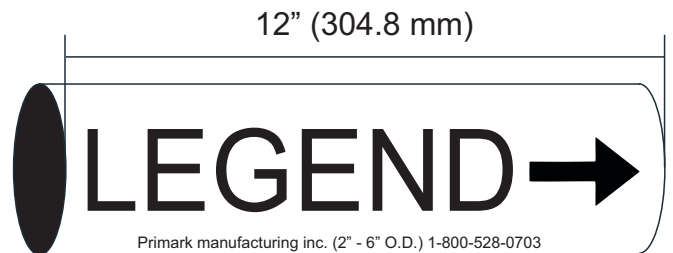
PM50

12"W x 20.5"L (304.8 mm x 520.7 mm)
- Fits 4" - 6" OD (101.6 mm - 152.4 mm)



PM55

12"W x 20.5"L (304.8 mm x 520.7mm)
- Fits 2" - 6" OD (50.8 mm - 152.4 mm)





PM - TIE STRAP
MARKER

COILED CONDUIT MARKERS

DRAWINGS

PM-60, 70 and 80 are manufactured flat and come with cable ties to securely strap around the pipe. Arrows are printed directly on the marker

PM60

17"W x 8"L (431.8 x 203.2) - Fits 6"-10" OD (152.4 - 254 mm)



Qty.2 Tie Straps included

PM70

24"W x 10"L (609.6 mm x 254 mm) - Fits 10"-18" OD (254 mm - 457.2 mm)



Qty. 4 Tie Straps included

PM80

32"W x 10"L (812.8 mm x 254 mm) - Fits 18"+ OD (457.2 mm+)

Qty. 6 Tie Straps included





PM-EM COILED CONDUIT MARKER DESCRIPTION

Coiled Conduit Markers are designed to identify conduit in all types of environments. Our unique manufacturing process allows the marker to easily snap around the conduit. It can be manufactured in various sizes based on the total overall diameter of the conduit. Compared to adhesive banding tape, Primark conduit labels do not require any cleaning or surface preparation prior to application ***reducing installation time and labor costs.***

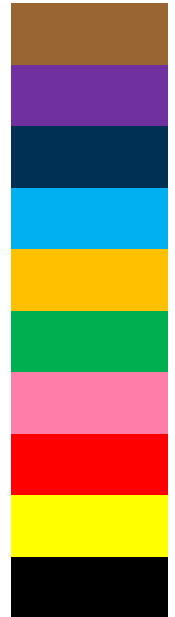


Standard Primark coiled conduit markers are 2" (50.8 mm) wide with custom lengths available to fit any conduit circumference. Coils are manufactured in tearaway sheet format. They can be manufactured with multiple banded colors and with or without text.

STANDARD SIZING

PRIMARK ID	FITS PIPE OD	MARKER SIZE	MARKERS PER SHEET	THICKNESS
EM028	¾" – 2" (19.05 mm – 50.8 mm)	2" x 8" (50.8 mm x 203.2 mm)	4	16 mil PVC (0.016" or 0.4064 mm)
EM048	¾" – 2" (19.05 mm – 50.8 mm)	4" x 8" (101.6 mm x 203.2 mm)	2	16 mil PVC (0.016" or 0.4064 mm)
EM088	¾" – 2" (19.05 mm – 50.8 mm)	8" x 8" (203.2 mm x 203.2 mm)	1	19 mil PVC (0.020" or 0.4826 mm)
EM217	2" – 4" (50.8 mm – 101.6 mm)	2" x 17" (50.8 mm x 431.8 mm)	6	19 mil PVC (0.020" or 0.4826 mm)
EM417	2" – 4" (50.8 mm – 101.6 mm)	4" x 17" (101.6 mm x 431.8 mm)	3	19 mil PVC (0.020" or 0.4826 mm)
EM220	2" – 6" (50.8 mm – 152.4 mm)	2" x 20.5" (50.8 mm x 520.7 mm)	6	19 mil PVC (0.020" or 0.4826 mm)
EM420	2" – 6" (50.8 mm – 152.4 mm)	4" x 20.5" (101.6 mm x 520.7 mm)	3	19 mil PVC (0.020" or 0.4826 mm)

STANDARD COLORS



PHYSICAL PROPERTIES

Material	Rigid PVC Vinyl
Material Thickness	16 mil, 19 mil. /0.016", 0.020" (0.4064mm, 0.4826mm)
Service Temperature Range	-40°F to 160°F (-40°C to 71°C) **
Flame Spread	ASTM E-85 Tested Rating at 25 or less
Water Resistance	Excellent
Chemical Resistance	Excellent
ASME A13.1 Standard	Complies
CAN/CGSB-24.3-92 Standard	Complies
ANSI Z535.1 "Safety Color Code"	Complies
Flow Direction Arrows	Yes

577 Edgley Blvd. Unit #6, Vaughan, ON L4K 4B2

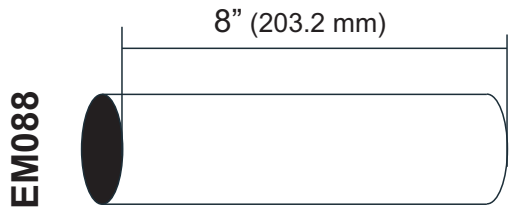
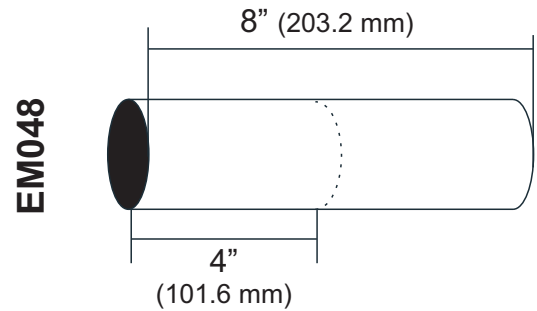
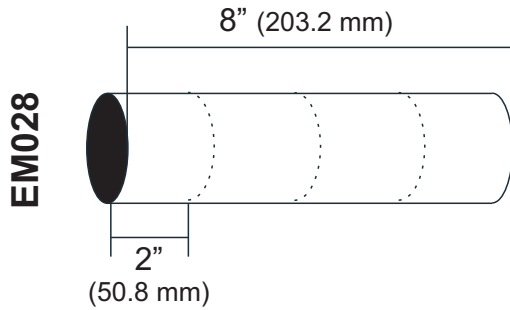
PH: 416-848-4139 / 1-800-528-0703 | Email: sales@primarkinc.com | Website: www.primark-id.com

DRAWINGS

Coiled conduit markers are manufactured on flat sheets of PVC plastic that are coiled to securely wrap around conduit. The marker is *KISS CUT* to easily tear and snap to each individual marker

8" x 8" (203.2 mm x 203.2 mm) coiled sheets

Fits 3/4" - 2" OD (19.05 - 50.8 mm)

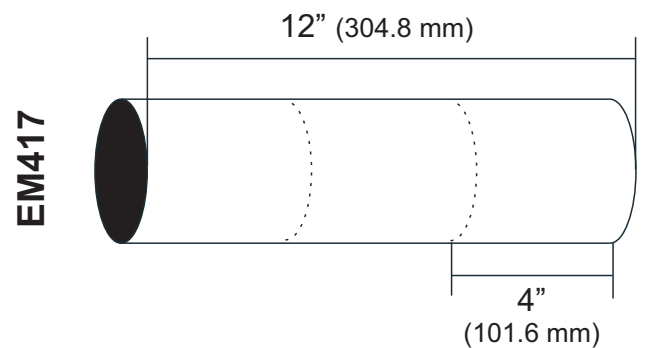
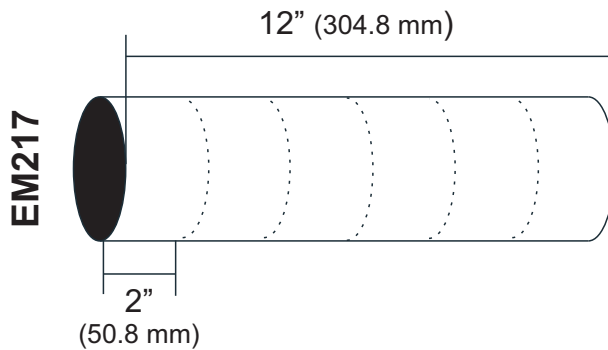


*KISS CUT -----

A kiss cut is a type of cut that only cuts through the first layer of a material making it easy to tear apart

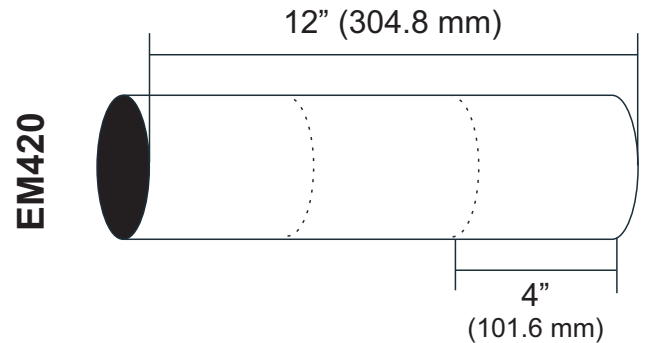
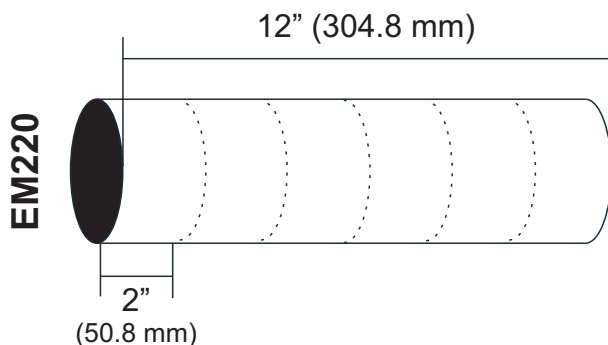
12" x 17" (304.8 x 431.8 mm) coiled sheets

Fits 2" - 4" OD (50.8 mm - 101.6 mm)



12" x 20.5" (304.8 X 520.7 mm) coiled sheets

Fits 2" - 6" OD (50.8 mm - 152.4 mm)





ADHESIVE PIPE MARKER DESCRIPTION

Adhesive Pipe Markers are color coded to identify service designations and pipe contents. They are made of premium grade vinyl and pressure sensitive adhesive that can effectively be used indoor or outdoors. Simple application, easily peel and stick to pipe. Ideal for any clean dry surfaces like those found inside commercial facilities.

SIZE AND LETTER HEIGHTS

Adhesive Pipe Markers conform to the ANSI/ASME 13.1 "scheme for the identification of Piping Systems" with regards to label colors, overall size and letter height. Primary color to conform to CAN/CGSB-24.3.



PIPE OD	LETTER SIZE	MARKER DIMENSIONS	STYLE
3/4" to 1-1/4" (20 mm – 32 mm)	1/2" (12 mm)	1" x 4" (25.4 mm x 101.6 mm)	A
1-3/8" to 2-1/4" (35 mm – 57 mm)	3/4" (20 mm)	1" x 7" (25.4 mm x 177.8 mm)	B
2-1/2" to 7-7/8" 63 mm – 200 mm)	1-1/4" (32 mm)	2" x 14" (50.8 mm x 355.6 mm)	C
8" to 10" (201 mm – 254mm)	2-1/2" (63 mm)	3" x 24" (76.2 mm x 609.6 mm)	D
Over 10" (255 mm and over)	3-1/2" (89 mm)	4" x 32" (101.6 mm x 812.8 mm)	E

Marker dimensions may vary based on the length of legend

PHYSICAL PROPERTIES

Material	Durable pressure sensitive vinyl
Thickness	.0032" (0.0812mm)
Adhesive	Permanent pressure-sensitive acrylic
Application Temperature	+50°F (10°C)
Service Temperature Range:	-50° to 180°F (-46° to 82° C)
Water Resistance	Excellent
Chemical Resistance	Good Resistance to acids, alkalis and sales
UV Resistance	Good
Storage Stability	Up to two years



DRAWINGS

Two of the most common adhesive pipe markers are 2" x 14" (50.8 mm x 355.6 mm) in size with 1-1/4" (32 mm) text size and 1" x 7" (25.4 mm x 177.8 mm) in size with 3/4" (19.05 mm) text size.

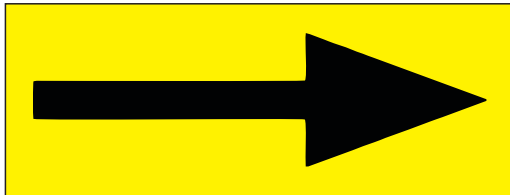
Length and width are subject to change based on the legend and pipe size required

14" (355.6 mm)



2" (50.8 mm)

6" (152.4 mm)



2" (50.8 mm)

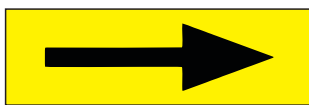
Matching arrows are available to identify flow in pipe

7" (177.8 mm)



1" (25.4 mm)

4" (101.6 mm)



1" (25.4 mm)

MEDICAL GAS MARKERS

Medical Gas Markers are made with a self adhesive thermoplastic and conform with the NFPA 99 2018 Health Care Facilities Code and CGA C-9 2013 Standard Color Marking of Compressed Gas Containers for Medical Use.

Medical Gas Markers are designed to wrap around pipes ranging from 3/8" (9.525 mm) through 6" (152.4 mm) in diameter. All markers are included with an adhesive peel and stick backing as well as directional arrows for flow indication.



PHYSICAL PROPERTIES

Material	Durable pressure sensitive vinyl
Durability	5 Years
Min. Application Temperature	-20°F to 200°F (-29°C to 93°C)
Surface Preparation	Clean and Dry
Specification Compliance	NFPA 99 2018 & CGA C-9 2013
Water Resistance	Excellent
Sizing	5" x 14" (127 mm x 355.6 mm) Card Strips
Chemical Resistance	Good
Water Resistance	Excellent

DRAWINGS

Custom colouring and legends are also available

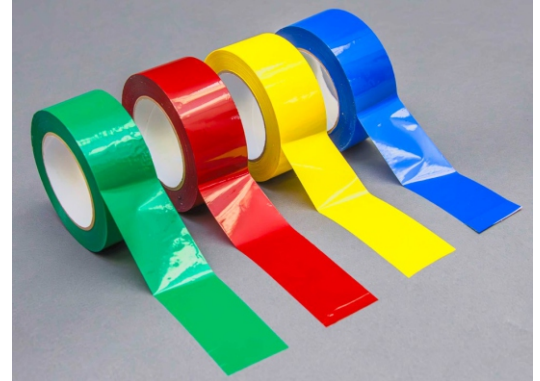
Text Legend & Color Schemes	
Medical Vacuum	MEDICAL VACUUM →
Oxygen	OXYGEN →
Carbon Dioxide	CARBON DIOXIDE →
Nitrous Oxide	NITROUS OXIDE →
Helium	HELIUM →
Medical Air	MEDICAL AIR →
Instrument Air	INSTRUMENT AIR →
AGSS	AGSS →



BANDING TAPE DESCRIPTION

Banding tape is used to color code piping/conduit as per specifications. Made of soft PVC (vinyl) that is both plasticized and stabilized for durability.

It is coated with rubber-based pressure sensitive adhesive on one side. It is moisture resistant and anti-corrosive which makes it a good adhesive to metal and plastic.



PHYSICAL PROPERTIES

Material	Durable pressure-sensitive vinyl
Thickness	4 mil (0.004" or 0.1 mm)
Temperature	Suitable for under 104°F (60° C)
Surface Preparation	Clean and Dry
Chemical Resistance	Good
Water Resistance	Excellent
Width Sizing	1" (25.4mm), 2" (50.8 mm), 3" (76.2 mm), 4" (101.6 mm) and 6" (152.4 mm) widths
Lengths	108' (32.92 m)
Finish	Matte
Available Colors	Yellow, Green, Emerald Green, Red, White, Black, Orange, Blue, Lt. Blue, Brown, Grey, Purple

STANDARD COLORS



DIRECTIONAL ARROW TAPE DESCRIPTION



Directional arrow tape is used to easily and effectively mark pipe flow direction. Made of durable synthetic base stock with an aggressive adhesive and clear over-lamination film to protect the printed surface and offer years of service

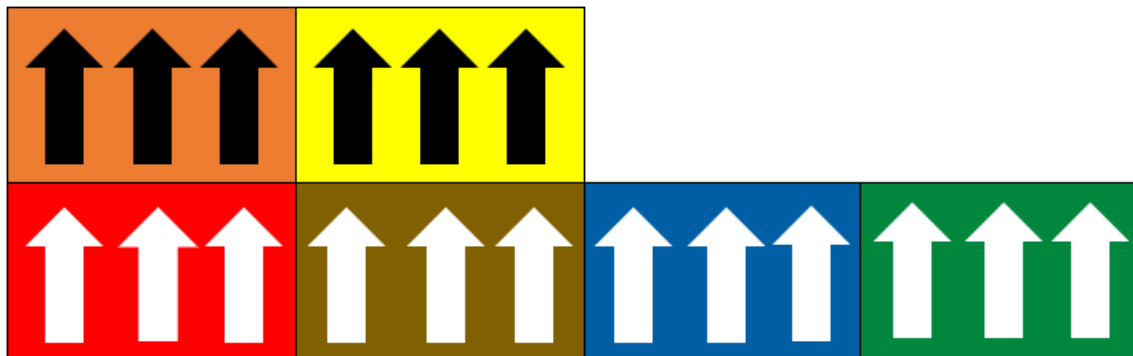
It has a continuous print design for professional looking installation so arrows are viewable 360°. The tape has a removable backing liner that is removed prior to application.

Complies with ANSI / ASME A13.1 and CAN/CGSB-24.3-92 standards for pipe markings.

PHYSICAL PROPERTIES

Material	Durable pressure sensitive vinyl
Thickness	4.3 mil (0.0043" or 0.11 mm)
Adhesive	Wide temp. range, heavy coat weight, permanent rubber-based adhesive
Operational Temperature	-50°F (-40° C) to 140°F (60° C)
Surface Preparation	Clean and Dry
Chemical Resistance	Excellent
Water Resistance	Excellent
Width Sizing	1" (25.4 mm), 2" (50.8 mm) and 4" (101.6 mm)
Lengths	108' (32.92m)
Finish	Gloss
Available Colors	Red, Orange, Yellow, Green, Brown and Blue

STANDARD COLORS





TAPE - C
NON-DETECTABLE TAPE

UNDERGROUND NON-DETECTABLE TAPE DESCRIPTION



Non-Detectable Tape is used to identify underground utilities such as gas, water, sewer and electrical before digging. It helps to ensure no costly accidents occur causing service shut downs, expensive repairs and serious injury.

Made from 100% Polyethylene film with message printed in permanent ink that will not fade or degrade when exposed to common underground conditions.

3" (76.2 mm) tape is recommended for depths of under 24" (609.6 mm) and 6" (152.4 mm) tape for depths over 24" (609.6mm).

PHYSICAL PROPERTIES

Material	Polypropylene
Total Thickness	4 mil, 0.004" (0.1 mm)
Application Temperature	n/a
Chemical Resistance	Excellent
Water Resistance	Excellent
Expected Outdoor Durability	Excellent (5+ years when buried)
Width Sizing	3" (76.2 mm), 6" (152.4 mm)
Lengths	500' (152.4 m), 1000' (304.8 m) length
Finish	Satin
Available Colors	Red, Orange, Yellow, Green, Blue, Purple, White

STANDARD COLORS

Complies with the APWA universal guidelines for underground utility marking

Electric Power Lines, Cables, Conduit and Lighting Cables.
Gas, Oil, Steam, Petroleum or Gaseous Materials
Communication, Alarm or Signal Lines, Cables or Conduit and Traffic Loops
Potable Water
Sewer and Drain Lines
Reclaimed Water, Irrigation and Slurry Lines
Proposed Excavation

577 Edgley Blvd. Unit #6, Vaughan, ON L4K 4B2

PH: 416-848-4139 / 1-800-528-0703 | Email: sales@primarkinc.com | Website: www.primark-id.com

UNDERGROUND NON-DETECTABLE TAPE



UNDERGROUND DETECTABLE TAPE DESCRIPTION

Detetable Tape is used to protect, identify and help locate underground non-mettalic utilities lines such as gas, water, sewer and electrical before digging begins.

It helps to ensure no costly accidents occur causing service shut downs, expensive repairs or serious injury.

Made from 100% Polyethylene film with a solid aluminum foil core for easy detection. Message printed in permanent ink that will not fade or degrade when exposed to common underground conditions.



PHYSICAL PROPERTIES

Material	Polypropylene/Aluminum Core
Total Thickness	5 mil, 0.005" (0.127 mm)
Application Temperature	n/a
Chemical Resistance	Excellent
Water Resistance	Excellent
Expected Outdoor Durability	Excellent (5+ years when buried)
Width Sizing	3" (76.2 mm), 6" (152.4 mm)
Lengths	500' (152.4 m), 1000' (304.8 m) length
Finish	Gloss
Available Colors	Red, Orange, Yellow, Green, Blue, Purple, White

3" (76.2 mm) tape is recommended for depths of under 24" (609.6 mm) and 6" (152.4 mm) tape for depths over 24" (609.6 mm)

STANDARD COLORS

Electric Power Lines, Cables, Conduit and Lighting Cables.
Gas, Oil, Steam, Petroleum or Gaseous Materials
Communication, Alarm or Signal Lines, Cables or Conduit and Traffic Loops
Potable Water
Sewer and Drain Lines
Reclaimed Water, Irrigation and Slurry Lines
Proposed Excavation

Complies with the APWA universal guidelines for underground utility marking



ENGRAVED PLASTIC VALVE TAG DESCRIPTION

Engraved plastic valve tags easily identifies the coding on valves and equipment through standard color coding that can be matched to existing pipe markers. Contrasting text against color coded plastic makes it an excellent visual communication tool.

Made from durable 2 ply plastic that is suitable for both indoor and outdoor environments. Tags can be made in both 1-1/2" (38.1 mm) round or square formats with a minimum 0.22" (5.59 mm) size hole and comes with a standard 4.5" (114.3 mm) beaded brass chain for easy installation.

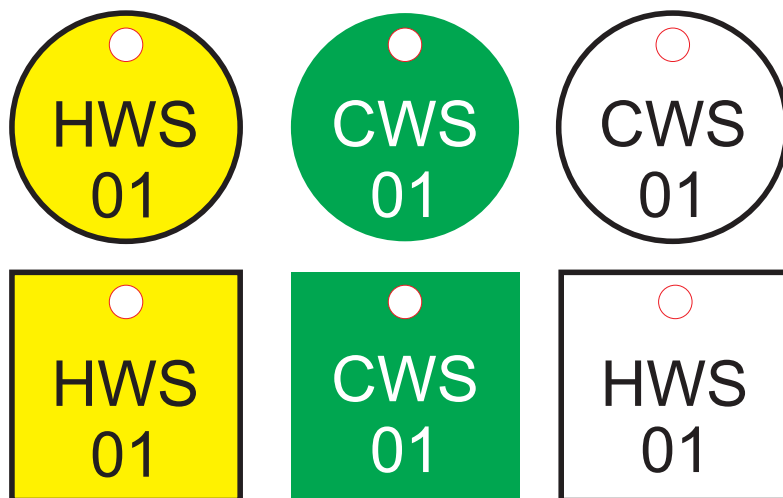
Text is sized to suit depending on the length of the legend but typically the minimum size is 1/5" (5.08 mm) with the most common size being 1/3" (8.466 mm) in Arial font.

PHYSICAL PROPERTIES

Material	Laminated layers of engraving plastic
Standard Material Thickness	0.12" (3mm)
Service Temperature	-20°F to 175°F (-28°C to 79°C)
Finish	Matte
Mounting	Hole with beaded brass chain
Standard Colors	Black, green, red, blue, brown, white, yellow, orange
Water Resistance	Excellent
Chemical Resistance	Excellent
Text Size	Size to fit or as per provided specifications

DRAWINGS

Legends, sizes, color or changes to be specified prior to each order placed. Specifications are to be communicated on an order by order basis.





BRASS VALVE TAG DESCRIPTION

Brass valve tags are another option for labeling valves and equipment in a facility. Each tag is made of sturdy and corrosive resistant brass with consecutive numbers “Stamped and black filled” in packages of 50. Each tag has a 3/8” (9.53 mm) hole and comes with 4.5” (114.3 mm) beaded brass chain for easy installation. Standard tags are 1-3/8” (34.92 mm) in diameter with 1/4” (6.35 mm) text height.

PHYSICAL PROPERTIES

Standard Material	Brass
Standard Material Thickness	20 gauge, 0.032” thick (0.812mm)
Finish	Matte
Mounting	3/8” (9.53 mm) Hole with beaded brass chain
Standard Size	1-3/8” (34.92 mm) diameter
Text Size	5/8” (15.875 mm) or as per provided specs
Custom	Available on request

DRAWINGS

*Custom brass valve tags with specified legends, text size and numbering are available upon special request.

Standard



Custom



TRADITIONAL BRASS VALVE TAG



- Brass tags are made with 5/8" (15.875 mm) text height unless otherwise specified - Brass tags are stamped and black-filled with 0.040" (1mm) thickness - 4.5" (114.3 mm) beaded brass chains are provided with each tag for easy installation



- Sturdy, corrosive resistant material
- Costly and time consuming production
- Difficult to easily identify equipment as all tags look the same

PRIMARK RECOMENDATION- PLASTIC LABELING

To ensure correspondence between tagging as well as Pipemarker identification, Primark highly recommends plastic labeling for valve tags. Plastic valve tags are color coded to match the pipemarker identification that will follow (as seen in the below example).

Because of this, it simply becomes much easier for maintenance operators or otherwise to read and identify specific operating lines and valves.

With this, plastic tagging is completely customizable and any legend, color or size can be made upon request. Plastic valve tags is also cost effective with quick turn around times for production.

Standard Pipemarker



Plastic Valve Tag





ENGRAVED PLASTIC EQUIPMENT TAG DESCRIPTION

Engraved plastic equipment tags can be custom designed in any size or color for the purpose of labeling mechanical and electrical equipment, pumps, fans, air handling units or any other equipment that requires identification. Made from 2 ply durable plastic that is suitable for both indoor and outdoors.

Primark's standard size tag is 2" X 4" (50.8 mm x 101.6 mm) with white face and black text or black face with white text and typically has a minimum 1/4" (6mm) text or best to suit legend and tag size. Tags are included with adhesive peel and stick backing for simple application. If requested, either one or two 0.18" (4.5mm) holes can also be included for application with self tapping screws.

PHYSICAL PROPERTIES

Material	Laminated layers of engraving plastic
Material Thickness	0.12" (3mm)
Service Temperature	-20°F to 175°F (-28°C to 79°C)
Chemical Resistance	Excellent
Finish	Matte
Mounting	Adhesive backing or holes for self-tapping screws
Standard Colors	Black, green, red, blue, brown, white, yellow, orange
Water Resistance	Excellent
Text Size	Size to fit or as per provided specifications
Tag Size	Typical Sizes listed below but any size available

0.5" x 2" (13mm x 51mm)	2" x 6" (51mm x 152mm)
1" x 3" (26mm x 76mm)	3" x 5" (76mm x 127mm)
1.5" x 3" (38mm x 76mm)	3" x 6" (76mm x 152mm)
2" x 3" (51mm x 76mm)	4" x 6" (102mm x 152mm)
2" x 4" (51mm x 102mm)	8.5" x 11" (216mm x 279mm)

TYPICAL
SIZES

DRAWINGS

Legends, sizes, color or changes to be specified prior to each order placed. Specifications are to be communicated on an order by order basis.



STAINLESS STEEL CONDUIT TAGS DESCRIPTION

Stainless Steel conduit and equipment tags are used where durability is essential and text does not scratch, erode or wear off due to environmental conditions. They are typically used to identify conduit, valves, equipment and other instruments and can withstand high temperatures and exposure to water and chemicals.

The production process of engraving right into the stainless steel to produce a black text, makes this an ideal identification tag for less than normal conditions because it remains legible in these environments.

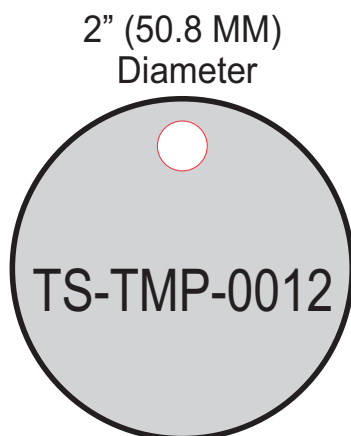
Standard Stainless Steel tags come in a variety of sizes, with or without holes. Most common sizes are:

- 2" (50.8 mm) diameter with one 0.18" (4.5 mm) hole and 0.24" (6 mm) text
- 1"x3" (25.4 mm x 76.2 mm) rectangle with two 0.18" (4.5 mm) holes and 0.24" (6 mm) text
- 1"x3" (25.4 mm x 76.2 mm) slotted rectangle with four 0.079" x 0.2" (2 mm x 5mm) holes in each corner and 0.28" (7 mm) text

PHYSICAL PROPERTIES

Material	Stainless Steel
Steel Grade	Type 304
Standard Material Thickness	22 Gauge (.030"/.762 mm)
Heat No.	230129C696
Chemical Resistance	Excellent
Water Resistance	Excellent
Finish	No. 4 Brushed
Mounting	Holes for a variety of mounting methods
Text Size	Size to fit or as per provided specifications

DRAWINGS



1"x3" (25.4 mm x 76.2 mm) - 2 holes

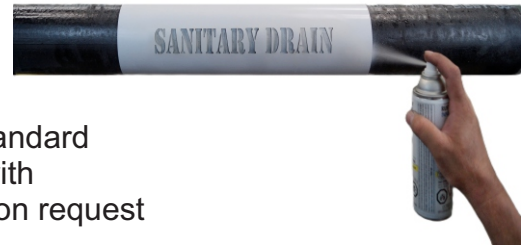


1"x3" (25.4 mm x 76.2 mm) - Slotted with 4 holes



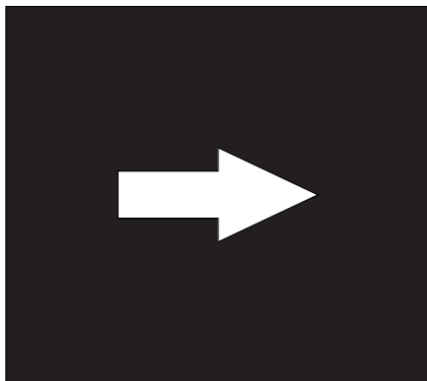
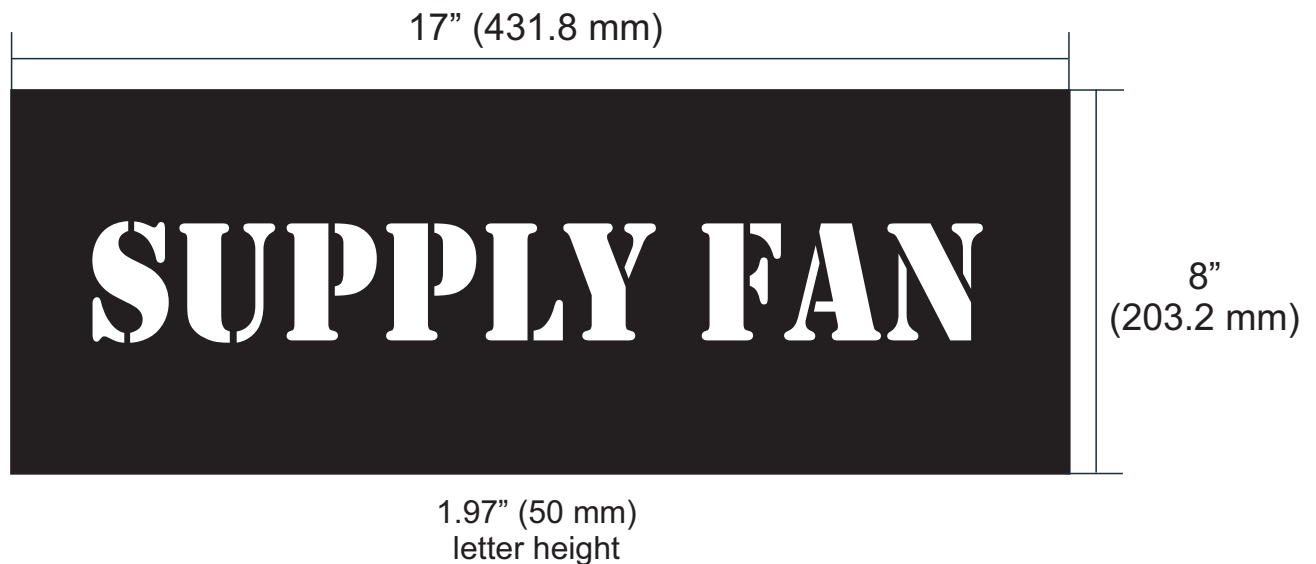
STENCIL IDENTIFICATION DESCRIPTION

Stencil Identification labels are typically used for duct labeling but can be a more economic way of also labeling pipe.



Pre-cut stencils are cut on 20 mil. (0.02"/0.508 mm) standard sized 8"x17" (203.2 mm x 431.8 mm) rigid PVC vinyl with 1.97" (50mm) text but custom sized text can be made on request to fit any specification request.

DRAWINGS



Directional arrows can be included on each stencil or can be produced separately for re-usability with different systems.

Directional arrows can be produced separately

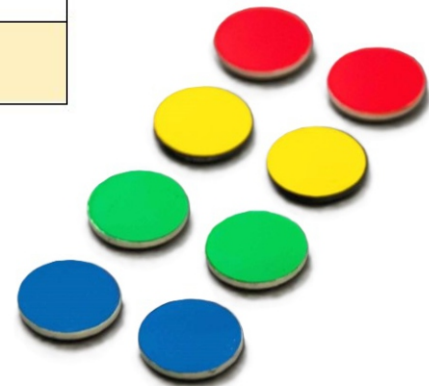
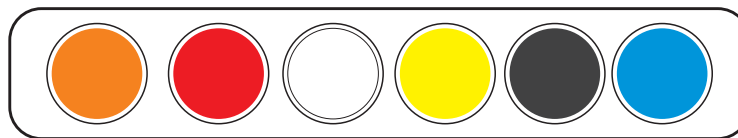
LT - LOCATOR DOT DESCRIPTION

Locator dots are colored indicators which are used to mark where valves, dampers or any other mechanical or electrical equipment is located above ceiling tiles. Locator dots are applied to the ceiling tile or insulation near the closest point of necessary indication.

SPECIFICATIONS

Standard Colors	Orange, Red, White, Yellow, Black, Green, Blue. Custom colors available.
Size	7/8" (22 mm) diameter
Application	Peel and Stick backing

DRAWINGS



TB - T-BAR INDICATOR DESCRIPTION

T-Bar indicators are used for the same purpose with the added ability to have specific text to the indicator to provide further information within the ceiling.

SPECIFICATIONS

Standard Colors	White with black lettering or black with white lettering. Custom coloring available
Size	1/2" x 2-1/4" (12.7 mm x 57.15 mm)
Application	Peel and Stick backing
Text Font and Size	Arial, 1/4" (6.35 mm) minimum height

DRAWINGS



BARCODE TAG DESCRIPTION

Barcode asset tags are used to keep track of company assets by labeling them with a barcode. Each tag provides a unique identification code to each asset. It helps provide management accurate records on location, condition, and maintenance history of each asset. Ideal for tool cribs and equipment because of its durability.

DRAWINGS



Primark bar code asset tags can be made on both aluminum and stainless steel material. Bar code tags use code 128 symbology (unless otherwise specified).

Sizing of each tag to be 1"x3" with two 3mm (1/8") holes on either side of long dimension.

Aluminum bar code tags maintain a Teflon UV and anti-paint top coat. Stainless steel to be permanently engraved.